

Features

- 1/2.8" Progressive scan CMOS imager
- Full HD 1080p resolution
- Multicodec, multistream (H.264/MPEG-4/MPEG-2/MJPEG)
- Day/Night with IR-cut filter
- Wide dynamic range
- 2 Alarm inputs / 2 outputs
- Analogue video output
- Two-way audio
- NTCIP protocol support
- 24 Vac; 12 Vdc / 24 Vdc; 802.3af PoE
- SFP Interface (optional)



Note: Lens sold separately. See Lenses datasheet

BC840-MC

Full HD IP multicodec box camera

Description

The BC840-MC is a full-featured network box camera providing high-quality, high-definition images.

Multistream/multicodec

The versatile BC840-MC camera is capable of quad streaming, with dual H.264 streams simultaneous with two flexible encoding outputs which can provide MPEG-2, MPEG-4 or MJPEG streams. Each stream is optimised for its purpose. The H.264 implementation is based on dedicated hardware resulting in unparalleled video quality.

Image quality monitor and tampering alarm

The BC840-MC is fitted with video analytics to check the health of the camera. This image quality monitor analyses contrast, exposure, sharpness and noise. Camera tampering analytics detect all changes in the camera's position or field of view. The instant a camera is subject to failure or tampering, an alert can be raised.

Open Streaming Architecture (OSA) and ONVIF

The BC840-MC, designed with OSA, offers standardised streaming video and remote control based on a comprehensive HTTP API giving access to all controls and making integration easy. Additionally, the BC840-MC fully supports ONVIF. It has been tested to support ONVIF Profile S.

Privacy masks

Privacy masks cover sections of the image. This feature is often requested for such situations as city centre surveillance and point of sale keypads.

Audio, I/O contacts, and analogue output

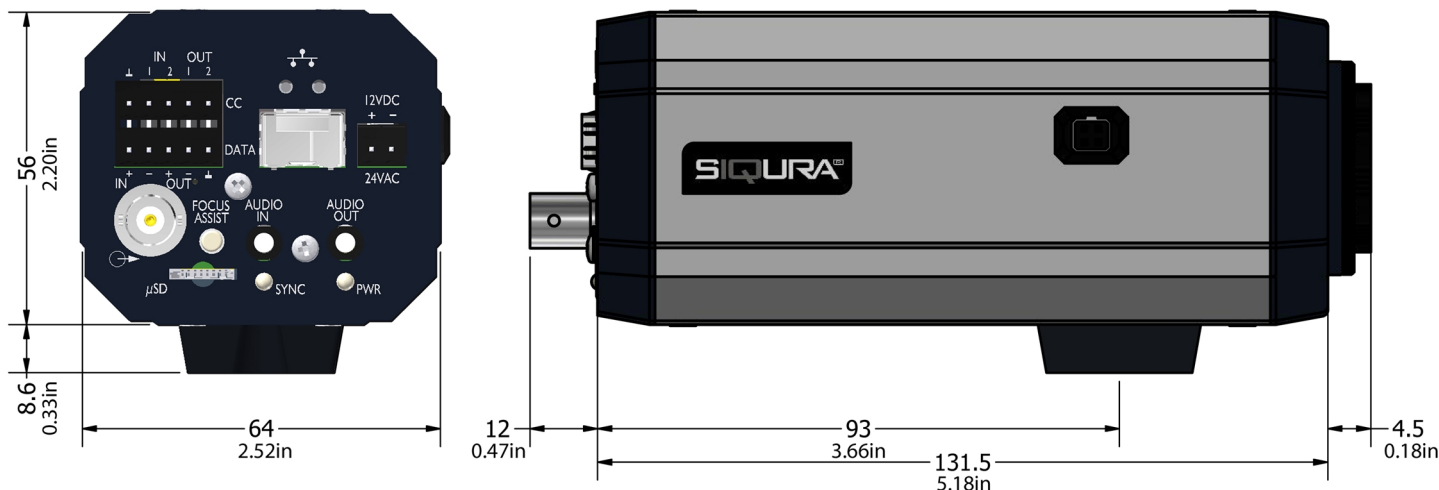
By combining streaming video with duplex audio and I/O contacts over IP, the BC840-MC provides all the interfaces necessary for any IP CCTV application. The BC840-MC is a hybrid solution and can provide local video for a public view monitor or local DVR.

SFP interface

The BC840-MC-SFP model is equipped with an SFP interface. It supports the XSNet SFP range for Ethernet over fiber and the ECO-plug™ for Ethernet over coax.

Technical Specifications

BC840-MC



Camera

Image sensor	1/2.8" Progressive scan CMOS
Electronic shutter	1/25~1/10000 s
Minimum scene illumination (30 IRE)	0.1 lux colour; 0.01 lux (b/w)
Video standards	NTSC/PAL (selectable via menu)
Output modes	Progressive scan
Video output	1 Vpp, 75 Ω, BNC
Lens mount	CS/C
Lens type	DC iris, manual
Auto iris drive	DC or manual
Composite video	BNC
Wide dynamic range	On/Off
WDR value	>60 dB

Functions

Privacy masks	10
On-screen display	3x text lines (configurable: position, colour, border/outline colour, font size) 1x image in BMP, GIF, or JPEG format (configurable: position, scaling)
Video settings	User profiles, contrast, brightness, colour saturation, hue, sharpness, noise filter

Embedded analytics

Video motion detection	Yes (free-drawn ROI)
Image quality monitor	Focus, contrast, SNR, exposure
Tamper detection	Partially blocked view, cloaked, changed position

Technical Specifications

BC840-MC

Video

Number of video streams	2x H.264, 2x MPEG-4, MPEG-2, and/or MJPEG
Frame rate	1 to 30 fps
Compression algorithm(s)	H.264 BP, MP or HP (ISO/IEC H.264 / MPEG-4 AVC), MPEG-4 Layer 5 (ISO/IEC 14496-2), MJPEG-2 (ISO/IEC 13818-2), MJPEG
Supported resolutions	1080p (1920x1080), 720p (1280x720), 960H, D1, VGA, 2CIF, CIF
Types of streaming	UDP/IP (multicast and/or unicast)
Number of output streams	Up to 20
Encoding latency	<130 ms typ
GOP structure	I, IP (selectable / user profiles)
Output data rate	Up to 20 Mb/s (CBR or VBR selectable/user profiles)

Audio

Two-way audio	Line out, line in/mic in (jack Ø3.5 mm)
---------------	-----------------------------------------

Data/serial port

Number of channels	1 (full-duplex)
Number of streams	2 x 3 (multicast and/or unicast)
Interface(s)	1x RS-422/485 (2- or 4-wire)
Streams	TCP, UDP, MX configurable
Data rate	300 b/s to 230.4 kbps
PTZ control interface(s)	Serial tunneling, webpage, HTTP (API), NTCIP (SNMP)
PTZ control protocols	Standard Pelco-D, Bosch, other remotely loadable protocols

Contact closures

Inputs	2
Outputs	2

Network

Interface(s)	RJ-45 or SFP (modules not included)
Protocols	H.264 (BP, MP, HP), RTP, UDP, IP, DHCP, IGMPv2, RTSP, (S)NTP, MX/IP, HTTP, SNMP v2, DiffServ, SAP, UPnP, ONVIF, NTCIP

Powering

Power consumption	7 W
Power	20 - 30 Vac, 11 - 30 Vdc, 802.3af PoE
Power adapter not included)	110 - 230 Vac to 12 Vdc, 1.5 A 50/60 Hz

Environmental

Operating temperature	Continuous -30 °C to +50 °C (-22 °F to +122 °F)
MTBF (Mean Time Between Failures)	329,585 hours

Technical Specifications

BC840-MC

Mechanical

Dimensions (h x w x d)	64.6 x 64 x 148 mm (2.54 x 2.52 x 5.83 in)
Colour	Black/Grey
Connector type	RJ-45, BNC

Ordering information

Models	Description
BC840-MC	Network box camera, 1080p, CMOS, dual H.264
BC840-MC-SFP	Network box camera, 1080p, CMOS, dual H.264, with SFP interface
PSA-UN12DC with ferrules	Power adapter, 110 - 230 Vac, 60/50 Hz to 12 Vdc, 1.5 A, ferrules, with US/EU/UK plug adapters
PSR-12DC	Power supply unit, rail-mount, 85 to 265 Vac, 12 Vdc at 1.5 A
MPL4080IR	Lens, 1/2 inch 4-8mm 90.4-47.0° f1.4 IR Aspherical CS
MPL40120IR	Lens, 1/2 inch 4-12mm 90.4-37.0° f1.4 IR Aspherical CS
VL33	Lens, 1/2.7 inch, 2.8-8.0mm, f1.3, DC auto iris, IR-corrected, 3MP
VL34	Lens, 1/2 inch, 8.0-80.0mm, f1.6, DC auto iris, IR-corrected, 3MP
VL37	Lens, 1/2.7 inch, 3.1-8mm, f1.2, DC auto iris, IR-corrected, 3MP
WM04	Indoor wall bracket
HSG02LV	Housing, fixed camera, heater/blower, 90-230 Vac
HSG03LV	Housing, fixed camera, IR illuminator, heater/blower, 90-230 Vac
HSG/WALL	Bracket, wall
HSG/POLE	Bracket, pole
HSG/CORNER	Bracket, corner
HSG/CEILING	Bracket, ceiling
HSG/SUN	Housing fixed camera, sunshield
ECO-plug	Ethernet over coax, SFP Module, 100 Mb with accessory cable, 40 cm
XSNet SFP MM/..... *	Multimode SFP, available in 1- or 2-fiber, different distance and speed ratings
XSNet SFP SM/..... *	Single-mode SFP, available in 1- or 2-fiber, different distance and speed ratings
XSNet SFP SM/CWDM..... *	Single-mode CWDM SFP, available in 8 wavelengths

* For a detailed overview of available SFP types consult appropriate product data.



The quality management system used in the development, production, sales, and support of this product is ISO 9001:2008 certified by LRQA.

© Siquira B.V. 2017 - Version 1.4 - Subject to modification.

