

XCU COMPACT

XCU Compact 316L rugged 2MP HD camera motorized zoom

DESCRIPTION

Rugged stainless-steel camera for demanding environments. The XCU Compact is fitted with a 4x or 10x motorized lens and autofocus for rapid deployment and remote installation. The XCU and its accessories are double protected against corrosion; they are entirely made of powder-coated stainless-steel (316L). The housing is hermetically sealed against water and dust, which makes it ideal for harsh environments like traffic, tunnels, marine, offshore, heavy industry, waste management, etc.

FEATURES

Motorized zoom and Full-HD

Compact, robust, and corrosion free

powder-coated 316L stainless steel housing

Plug & Play

Nano glass optical window

Water and dust tight: IP66 & IP67

ONVIF Profile S



Description

The XCU Compact Camera is designed to operate under the tough environmental conditions in traffic (tunnels) and marine (offshore) applications. The housing and brackets are made from high grade 316L stainless steel, powder-coated (RAL9016) for the best protection against corrosive substances and environments.

Plug & Play

Installing and commissioning IP cameras is made easy with the XCU Compact. It slides into place on the XCU's versatile mounting accessories and is operational by connecting powered Ethernet. No need to open the unit; all connections can be prepared in advance.

Integrated 4x or 10x zoom Full-HD lens

The XCU Compact is available with two motorized zoom lenses. The short range 2.8 mm to 12 mm (4x) and mid-range 5 mm to 50 mm (10x) optical zoom offers an ideal coverage of the scene for almost any camera position. Remote zoom and focus allows you to define and configure the field-of-view afterwards, without opening the camera. The ultra-low light performance makes this a versatile camera for a wide range of applications.

Open standards

Out of the box, the XCU Compact integrates with the common VMS systems. Being ONVIF Profile S compliant, the camera is supported by most video management systems. When needed, the camera can be controlled through a comprehensive HTTP API (Siquira Programming Interface). This specifically enables deployment in projects with custom requirements.

Multi-streaming and multicasting

The XCU Compact has multi-streaming capabilities for simultaneous transmission of one or more H.264 streams combined with MJPEG. This guarantees interoperability with existing VMS systems. Multiple combinations of resolution and frame rate can be configured to satisfy different live-viewing and recording scenarios. In addition, multicasting is supported for complex, multi-user video networks.

Image enhancements

The XCU Compact has a full set of image enhancement tools on-board to improve the image for the actual application. The adjustable white balance and hue can compensate

for varying lighting conditions. Back-light compensation and wide dynamic range functions enhance image quality in difficult lighting situations, ensuring quality pictures even in case of challenging scenes.

Connectivity

The XCU Compact comes standard with IP67 connectors for Ethernet and power. It is powered either by power-over-Ethernet or by 24 Vac/Vdc.

Camera housing

Body material	316L stainless steel
Finishing	Powder coated (RAL9016)
Sunshield	316L powder coated (RAL9016)
Heater/Demister	Standard
Ingress protection	IP66, IP67
Impact rating casing	IK10
Vibration (IEC 50068-2-6)	10 Hz to 150 Hz, 0.5g, all 3 axes, 1 oct/min, 1 sweep
Operating temperature	-30 °C to +65 °C (22 °F to 149 °F)
Relative Humidity	5% to 100%
Dry heat test	+75 °C, 24 hours
Weight	2.5 kg

Imager and lens

Motorized zoom	10x zoom	4x zoom
Image sensor	1/3" Progressive scan CMOS	1/2.8" progressive scan CMOS
Effective pixels	1920(H) x 1080(V), 2.1Mp	1920(H) x 1080(V), 2.1Mp
Minimum scene illumination	0.02 lux color, 0.005 lux B/W	0.02 lux color; 0.005 lux B/W
Lens	4.9 to 49 mm	2.8 to 12 mm
Horizontal field of view	49.4° (W) to 5.3°(T)	105° (W) to 33° (T)
Lens type	motorized varifocal	motorized varifocal
Dynamic WDR	120dB	
Shutter speed	1/25 - 1/30,000 s	
Features	BLC, HLC, auto/manual white balance, (3D/2D) noise reduction, defog	
Exposure	Auto/Manual	
Day/Night (IR-cut filter)	Auto/Manual	
Focus	Auto, manual push-to-focus	

Video stream

Number of streams	2x streams for optical image and 2x streams for thermal image
Aspect ratio	16:9, 16:10, 5:4, 4:3 (cropped, no scaling)
Compression algorithm(s)	H.264 BP/MP/HP (H.264/MPEG-4 AVC), MJPEG
Supported output resolutions	1920x1080; 1280x1024; 1280x720; 1024x768; 800x600; 720x576; 640x480; 352x288; 176x120; 720x576); 640x512, 640x480; 352x288; 336x256, 176x120
Compression bit rate control	Variable bit rate (VBR)
Output bit rate (per H.264 stream)	Up to 6Mb/s
Number of video output streams	Up to 20 (RTSP) per input
Total output data rate (max)	50Mb/s
Video overlay	3x Text, 1x bitmap (BMP, GIF) in both optical and thermal image

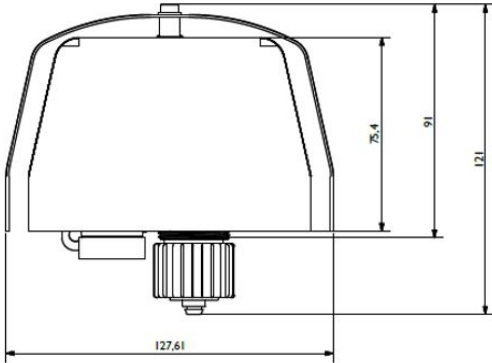
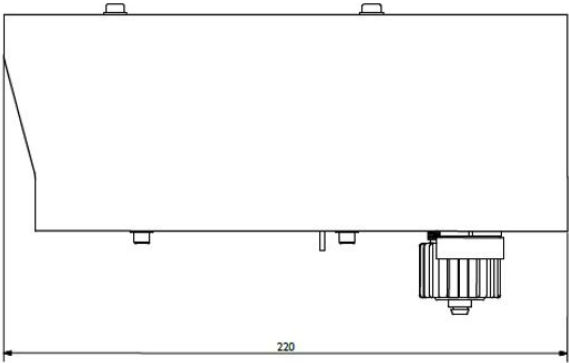
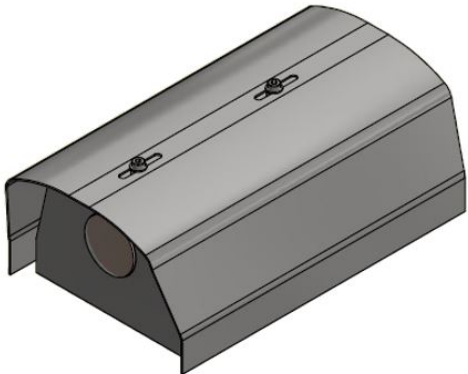
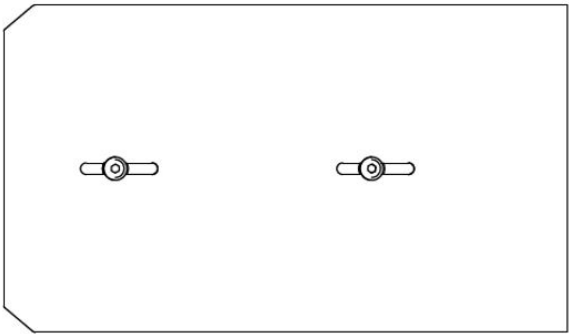
Electrical

Supply voltage	24 Vac 50/60 Hz or 24 Vdc (Galvanic isolated)	
Max. power consumption	10x zoom	4x zoom
	9 W heater off; 13 W heater on	12 W heater off; 16 W heater on

Specs

Electrical		
PoE	IEEE802.3af or IEEE802.at typeI	IEEE802.3at type II (PoE+)
Power connector	3-pin 7/8" Conec	
Network connector	Conec RJ45	
PoE+ wiring recommendation	Wiring resistance e.g. max. 100m AWG24 (IEEE802.3-2015 clause 33.1.4), PSE >= 50V	
Network		
Interface(s)	100 Mb Ethernet, auto negotiating, MDI/MDX	
Protocols	IPv4, TCP/IP, UDP, RTP, RTSP, HTTP, HTTPS, ICMP, FTP, SMTP, DHCP, UPnP, IGMP, SNMP, QoS, ONVIF, TLS1.2, NTCIP-1205	
Password levels	User and Administrator	
Supported browsers	Internet Explorer (9.0+), Chrome, Firefox, Safari	
User accounts	20	
Ordering information		
XCU-C M04	XCU Compact 316L rugged 2MP HD camera 4x motorized 4-12mm	
XCU-C M10	XCU Compact 316L rugged 2MP HD camera 10x motorized 5-50mm	
Mounting accessories		
XCUWM01	XCU 316L Wall/Pole mount with swivel, RAL9016	
XCUCM01	XCU 316L Rugged ceiling mount, RAL9016	
XCUSS01	XCU Fusion 316L sunshield, RAL9016	
Cable connectors		
XCUCNC-PWR01	XCU IP67 power connector straight, cable part	
XCUCNC-RJ45	XCU IP67 Ethernet connector straight, cable part	

DIMENSIONS IN MM



RELATED



Siqura XCUWM01
XCU 316L Wall/Pole mount with swivel, RAL9016



Siqura XCUCM01 and XCUCM02
Ceiling mount for the XCU Fusion and compact.



Siqura XCUSS01
XCU Fusion sun-shield
