

SN-IPS8653WDR-Z40

7-inch 5MP 40x Starlight IR Network PTZ Camera



Key Features

- 1/2.8" STARVIS™ CMOS
- Max. 5MP (2592×1944)@25/30 fps resolution, 40x optical zoom, 16x digital zoom
- Supports face, human, and vehicle detection & capture.
- Supports human and vehicle attribute detection.
- Intelligent analytics: Intrusion, smart motion detection, single line crossing, double line crossing, loitering, wrong-way detection, area people limit, perimeter detection, illegal parking, running detection, fall detection, fight detection, smoke and flame detection, and people counting.
- Supports alarm-linked tracking and intelligent tracking based on person/vehicle targets.
- True WDR(120dB), 3D DNR, ICR, Defog and EIS
- Smart IR distance up to 300 m
- IP66

Specifications

| Camera | |
|---------------------------|--|
| Image Sensor | 1/2.8" Progressive Scan CMOS |
| Max Resolution | 2592(H) × 1944(V) |
| Shutter Speed | 1/5 to 1/20,000s |
| Min Illumination | Color: 0.005 Lux @ (F1.6, AGC ON), B/W: 0.001 Lux @ (F1.6, AGC ON), 0 Lux with illuminator on |
| Day & Night | Auto (ICR) |
| S/N Ratio | 55 dB |
| Lens | |
| Focal Length | 5.0 to 200 mm |
| Max. Aperture | F1.68 to F5 |
| Field of View (FOV) | H: 64.8° to 1.8°, V: 50.3° to 1.3° |
| Optical Zoom | 40x |
| Digital Zoom | 16x |
| Iris | Auto/Manual |
| Focus Control | Auto/Manual/Semi-automatic |
| Illuminator | |
| Type | IR |
| IR wavelength | 850 nm |
| Distance | Up to 300 m (984.3 ft) |
| Control | Auto / Manual |
| Intelligent Analytics | |
| Multi-Object Detection | - Supports face, human, and vehicle detection & capture; - Supports human and vehicle attribute detection; - Supports multiple frame modes: Full Frame, Four-Corner Frame, Mosaic. |
| Attribute Extraction | Human Attributes: Gender, age, glasses, hat, bag, upper clothing color & style, lower clothing color & style, reflective vest. Vehicle Attributes: Type, color, brand, orientation |
| Intelligent Analysis | Intrusion detection, smart motion detection, single line crossing, double line crossing, loitering, wrong-way detection, area people limit, perimeter detection, illegal parking, running detection, fall detection, fight detection. - Supports accurate target classification (human/vehicle) |
| Smoke and Flame Detection | Supported |
| People Counting | Supported |
| Video & Audio | |

| | |
|--------------------------|--|
| Number of Streams | 3 Streams |
| Resolution | Stream1: 2592×1944, 2592×1520, 1920×1080, 1280×720 Stream2: D1, VGA, CIF Stream3: VGA, CIF, QVGA |
| Frame Rate | Up to 25/30fps |
| Bit Rate Control | CBR/VBR |
| Bit Rate | Stream1: 200 Kbps to 16 Mbps Stream2: 100 Kbps to 6 Mbps Stream3: 100 Kbps to 3 Mbps |
| Smart Encoding | Supported |
| Region of Interest (ROI) | Supported |
| Audio Compression | G.711 A-law, G.711 μ -law, RAW_PCM |
| Audio Bit Rate | 64 kbps (G.711), 128 kbps (RAW_PCM) |
| Image | |
| Image Adjustment | Brightness, Sharpness, Contrast, Saturation adjustable |
| Scene Mode | Indoor, Outdoor, Mirror |
| Exposure Mode | Auto, Manual, Shutter priority, Iris priority |
| White Balance | Auto, Tungsten, Fluorescent, Daylight, Shadow, Manual |
| Day/Night Setting | Auto, Day, Night, Timer |
| Noise Reduction | 2D/3D DNR |
| Image Enhancement | HLC, BLC, Defog, WDR, Anti-shake |
| Wide Dynamic Range | True WDR (120dB) |
| Privacy Masking | Support 40 zones, mask color configurable |
| PTZ | |
| Pan/Tilt Range | Pan: 0° to 360° endless, Tilt: -10° to +90° (auto-flip) |
| Pan Speed | Pan speed: 0.1° to 300°/s, preset speed: 300°/s |
| Tilt Speed | Tilt speed: 0.1° to 300°/s, preset speed: 300°/s |
| Preset Accuracy | $\leq 0.2^\circ$ |
| Preset | 400 |
| Track | 6 Track |
| Scan | 12 Scan |
| Tour | 12 Tour (up to 32 presets each tour) |
| Intelligent Tracking | Supported Object auto tracking (Person/Vehicle) |
| Power-Off Memory | Supported |
| 3D Positioning | Supported |
| PTZ Status Display | Supported |

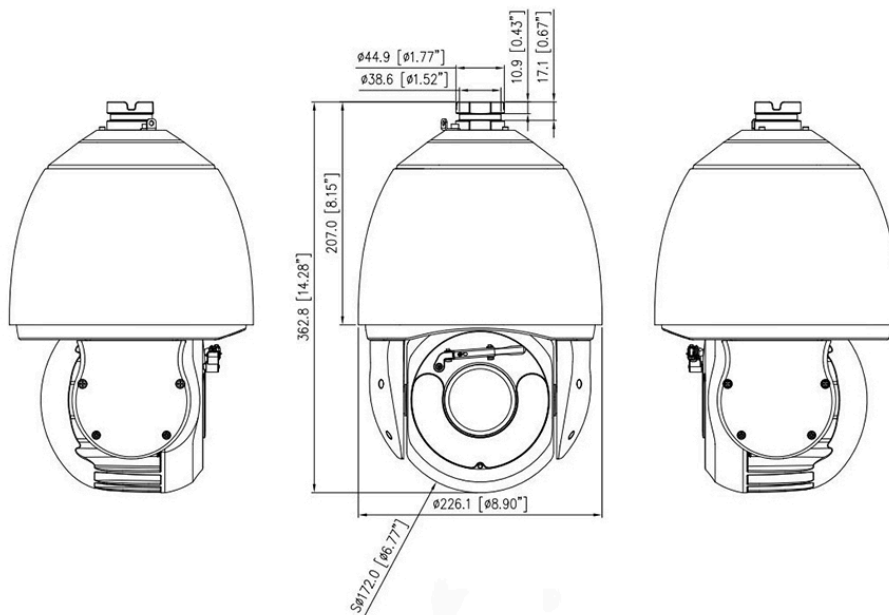
| | |
|-----------------------------------|--|
| Idle Motion | The time can be set (1-240 minutes), and functions such as preset positions, patrols, scans, and tracks can be run. |
| Event | |
| Alarm Triggers | IVS, Motion detection, Alarm input, Network alarm, Disk alarm, Day/Night switch alarm, Abnormal sound detection |
| Event Actions | Alarm record, Alarm output, FTP upload, SMTP upload, Snapshot, Audible alarm output |
| Network | |
| Protocols | IPv4/IPv6, HTTP/HTTPS, DNS, DDNS, DHCP, PPPoE, RTSP/ RTP/RTCP, TCP/UDP, NTP, ARP, UPnP, FTP, SMTP, QoS, ICMP, IGMP, SMTP, 802.1x, SNMP, Multicast |
| Application Programming Interface | ONVIF (Profile S/T/G/M), SDK, CGI |
| Max Concurrent Streams | 10 channels |
| User/Host Level | 32+ users, 3 levels: Administrator, Operator, Media user |
| Web Viewer | <IE11, Chrome, Firefox, Microsoft Edge |
| Security | |
| OS / Firmware Protect | Encrypted firmware, Signed firmware |
| User Authentication | Digest authentication, Prevent brute-force attack |
| Network Authentication | IEEE 802.1X(EAP-TLS) |
| Secure Communication | HTTPS, WSS(WebSocket Secure), SRTP |
| Access Control | IP-based access control, Auto logout |
| Data Protect | Encryption credentials |
| Audit | Access / System / Event Log management |
| Secure Storage | SDcard partition encrypt(AES-256), Secure element |
| Supply Chain Security | SBOM |
| Interface | |
| Network Interface | 1 × Ethernet (10/100 Base-T), RJ-45 connector |
| Audio Interface | 1ch input, 1ch output |
| Alarm Interface | 7ch input, 2ch output |
| RS-485 | Supported |
| CVBS Output | 1ch BNC |
| SD Card Slot | Built-in microSD card slot, up to 1 TB |
| General | |
| Language | English, Chinese, Traditional Chinese, Polish, Italian, Portuguese, Spanish, Russian, French, Czech, Hungarian, Japanese, Korean. Default: English |
| Power Supply | 24 VAC / 36 VDC / PoE++ (802.3bt), Standard Equipped: 36 VDC |
| Power Consumption | Max. 45 W |
| Operating Temperature | -40°C to 60°C (-40°F to 140 °F) |

| | |
|--------------------|--|
| Operating Humidity | Less than 95% RH |
| Ingress Protection | IP66, NEMA 4X (optional) |
| Wiper | Supported |
| Certifications | CE-EMC - EN 55032, EN IEC 61000-6-3, EN IEC 61000-3-2, EN 61000-3-3, EN 55035, EN 50130-4 CE-LVD- EN IEC 62368-1 FCC 47 CFR Part 15 Subpart B |
| Material | Metal |
| Dimensions | φ226.1 × 362.8 mm (φ8.9 × 14.28 inch) |
| Net Weight | 5.5 kg (12.13 lb) |

DORI Distance (EN62676-4 standard)

| | |
|-----------|---|
| Detect | 82 to 3,280 m (269.03 to 10,761.15 ft) |
| Observe | 32.8 to 1,312 m (107.61 to 4,304.46 ft) |
| Recognize | 16.4 to 656 m (53.81 to 2,152.23 ft) |
| Identify | 8.2 to 328 m (26.9 to 1,076.12 ft) |

Dimensions (mm)



Accessories

Optional:



SN-CBK506B
Wall Mount



SN-BK348A
Ceiling Mount



SN-BK605
Corner Mount



SN-BK604B
Pole Mount



SN-BK367
Junction Box



SN-BK358
Corner Mount



SN-BK359
Pole Mount