

SIQURA

WM21

Wall mount for FD200xM1

DESCRIPTION

Wall mount bracket for horizontal mounting of the FD2002M1-EI or FD2005M1-EI fixed dome.

FEATURES

Aluminum Alloy

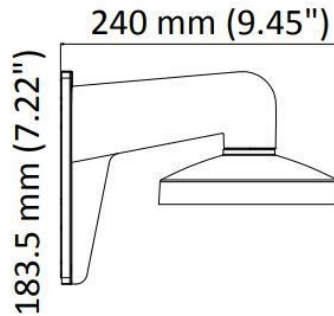
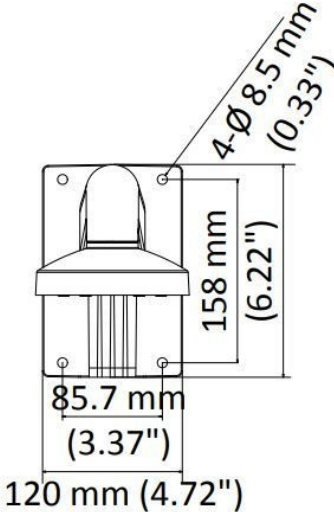
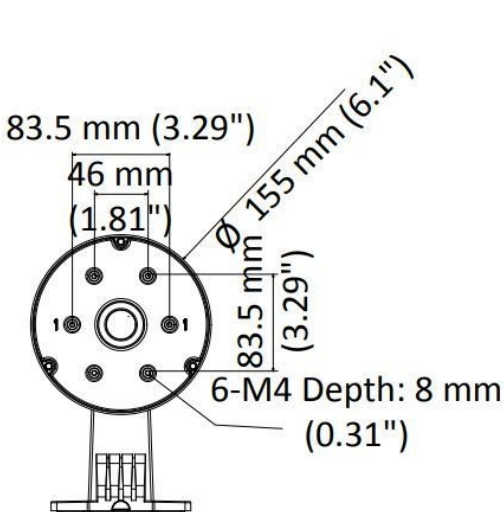
RAL 9003 (signal white)

diameter 155 x 183.5 240 mm

650 g



DIMENSIONS IN MM



RELATED

**Siqura PM10**

Pole mount for BL/FD200xM1 series cameras
