

RC1201-E1/FE-SFP-BL E1/T1 to Fast Ethernet access gateway

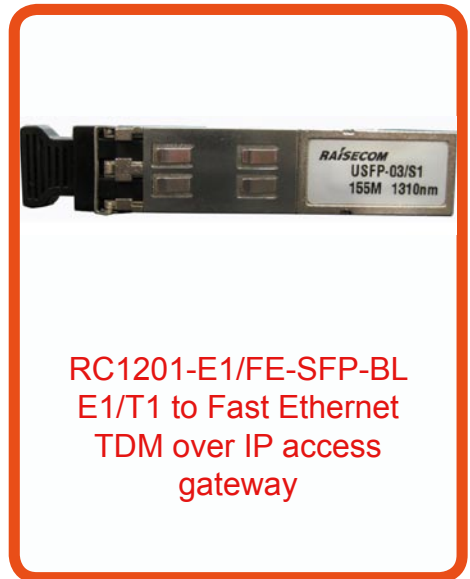
RC1201-E1/FE-SFP is TDM over IP gateway that connects TDM networks across Packet-switched networks such as Ethernet, IP or MPLS networks. CESoPSN, SAToP and TDMoIP TDM over Ethernet payload mechanisms are implemented to carry TDM traffic transparently over PSN. By deploying in pairs or oppositely with other Raisecom RC1201 TDM over IP gateways, RC1201-E1/FE-SFP provide PSN extension for any user with a standard E1/T1

interface circuit.

RC1201 is housed in SFP enclosure and is applicable for any 100BaseFx Ethernet device port with a compatible SFP socket. It is equipped with large and configurable jitter buffers to compensate for delay variation introduced by the PSN. Four selectable clock modes and hot-swappable SFP format enables carriers and service providers a flexible and cost-effective TDM over IP extension.

Feature

Functionality	Transmits TDM-based services over Ethernet, IP or MPLS packet-switched networks
SFP enclosure	SFP enclosure enables to fit into any 100BaseFX Ethernet device port with compatible SFP socket
Flexibility	Hot-swappable SFP-format plug complied with MSA saves on space, power consumption and cabling
User port	Provides single E1 or T1 TDM user port
E1/T1 mode	Framed and unframed E1/T1 mode
Ethernet payload	TDMoIP, CESoPSN and SAToP
Signaling	Transparent to all signaling protocols
Clock mode	Selectable internal clock, E1/T1 recovered clock, PSN adaptive clock and external clock
Jitter	Configurable jitter buffers compensates for delay variation introduction by the Ethernet network
Compliance	Support MPLS, MEF8 and UDP/IP protocols
Management	Out-of-band management through 12C and in-band management by using Web browser

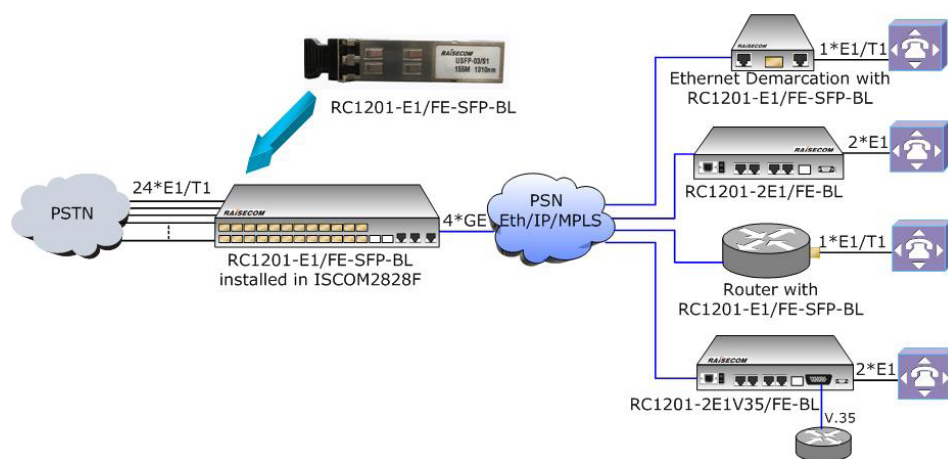


RC1201-E1/FE-SFP-BL E1/T1 to Fast Ethernet TDM over IP access gateway

Specification

E1 interface	Connector: RJ-45 Impedance: 120 ohm Data rate: 2.048 Mbps Line coding: HDB3, AMI Cable length: * Short haul: 770m * Long haul: 2664m
T1 interface	Connector: RJ-45 Impedance: 100 ohm Data rate: 1.554 Mbps Line coding: B8ZS, AMI Cable length: * Short haul: 1192m * Long haul: 2874m
Ethernet interface	Type: 100BaseFx Compliance: IEEE802.3 Edge connector: SFP-based
Indicator	LOS and LINK
Power Consumption	1.1W
Dimensions	12.5*14.0*74.1mm (H*W*D)
Weight	30g
Power supply	3.3V, up to 330 mA
Working ambience	Temp: -5~50 centigrade RH: 20~90% non-condensing
Storage ambience	Temp: -25~85 centigrade RH: 20~90% non-condensing
Safety compliance	CE, FCC, EN 55022

Application



Ordering Information

Part Number	Description
RC1201-E1/FE-SFP-BL	TDM over IP access gateway in SFP enclosure, balanced E1 or T1 interface

Compliance

Standards & protocols	IEEE802.3 Ethernet IEEE802.3x full duplex on 10BaseT, 100BaseTX ports IEEE802.3u 100BaseTX ITU-T G.703 ITU-T G.704 ITU-T G.823 ITU-T G.824 T1.403 T1-231 AT&T TR-62411 ITU-T Y.1413 RFC 5086 RFC 4553
-----------------------	---