



numberok  
License Plate Recognizer

SOLUTION  
FOR TRAFFIC  
MANAGEMENT

[www.number-ok.com](http://www.number-ok.com)

# NUMBEROK LPR SOFTWARE

numberok  
License Plate Recognizer



WINDOWS SOFTWARE



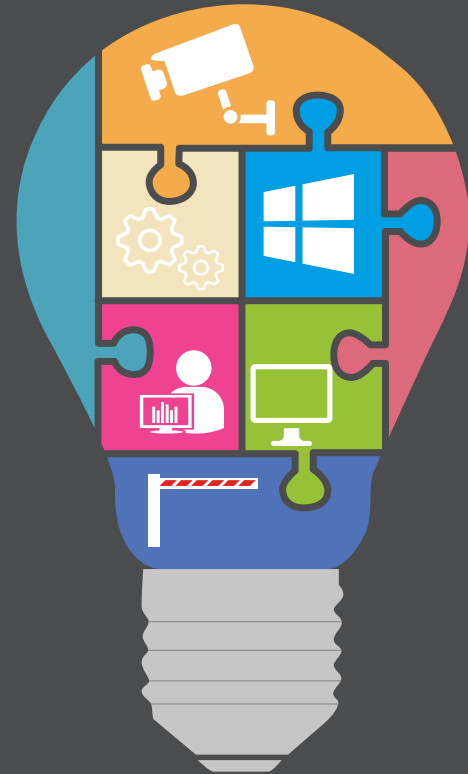
LICENSE PLATE RECOGNITION



TIME DURATION AND VEHICLE COUNTING



VEHICLE ACCESS CONTROL



## USER-FRIENDLY

Easy to install, simple to use

## AFFORDABLE PRICE

Competitive solution

## EFFICIENT

Compatible with most sources supporting RTSP: analogue DVRs, capture boards and IP cameras of different brands. OS Windows. Remote network connection.



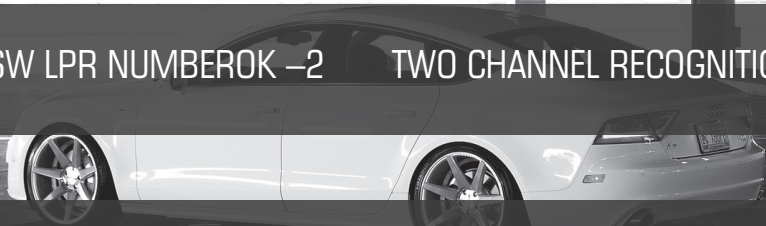
SW LPR NUMBEROK – 1 ONE CHANNEL RECOGNITION



SW LPR NUMBEROK – 2 TWO CHANNEL RECOGNITION



SW LPR NUMBEROK – 4 FOUR CHANNEL RECOGNITION



# LIST OF SUPPORTED COUNTRIES

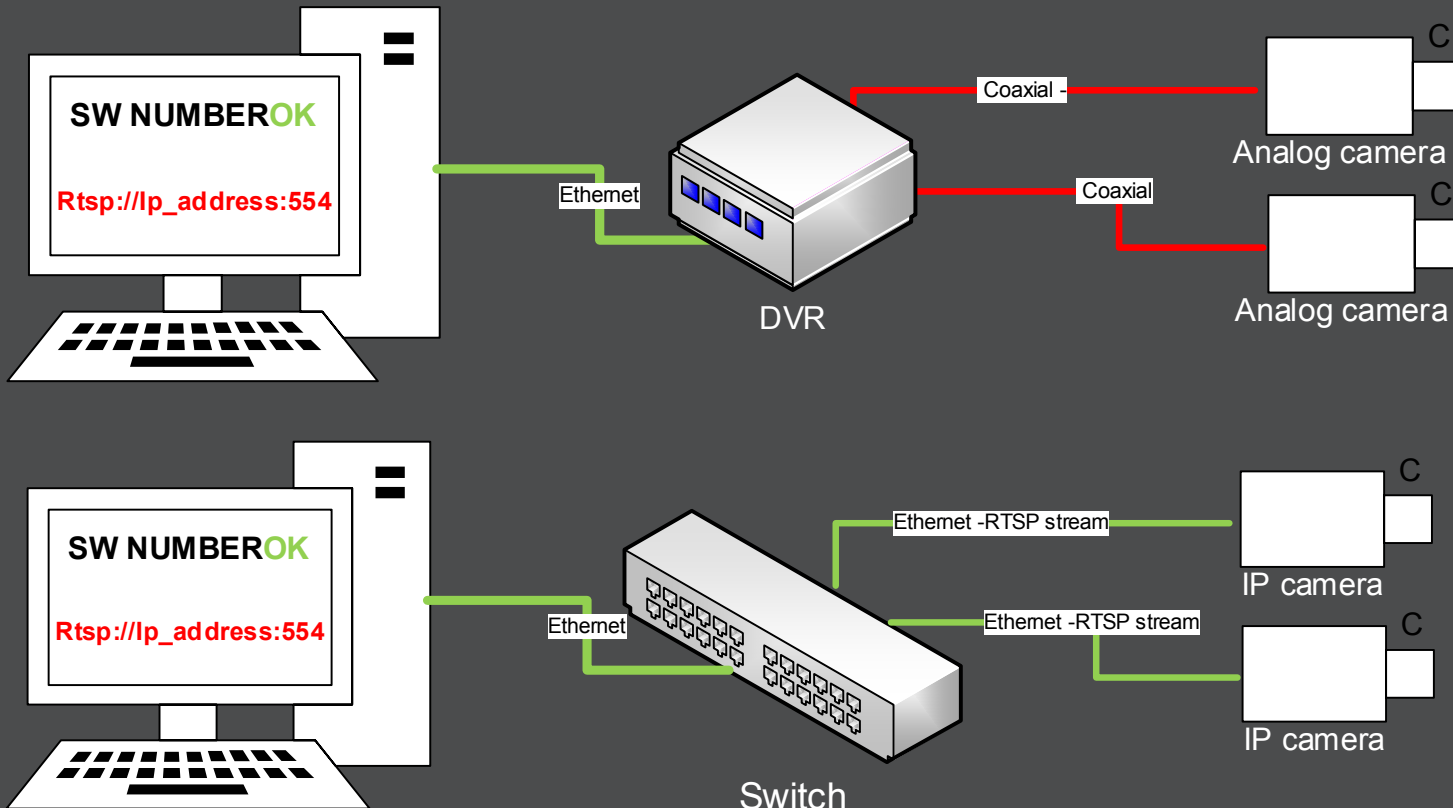
AL		AUS		AZE		BEL		BGR		BIH	
BLR		CY		CZE		DEU		DNK		ESP	
EST		FIN		FRA		GBR		GEO		GRC	
HRV		HUN		IRL		ISR		ITA		KAZ	
LTU		LUX		LV		MAL		MDA		MKD	
NLD		NOR		POL		PRT		ROU		RUS	
SLO		SRB		SVK		SWN		SWZ		TR	
TT		UKR		UZ		VAT					

# HARDWARE SYSTEM REQUIREMENTS

	One channel	Two channels	Four channels
Processor	intel i3 4330	intel i5 4440	intel i7 4770K
Time recognition (full HD)	20-70 ms		
Operation systems	Windows XP/7/8/server 8 32/64 bit		
Memory	4 GB	4 GB	8 GB
Disk space			
Installation	< 100 MB		
For screenshot	1-3 GB		
For database	100 MB		
Video adapter	OpenGL 2.0		



# CONNECTION DIAGRAM



# VIDEO REQUIREMENTS

## CONNECTION



RTSP

## CODECS



H264/MPEG

## VIDEO STREAM



< 8MBIT/S

## FRAME



<5 MP

## DVR

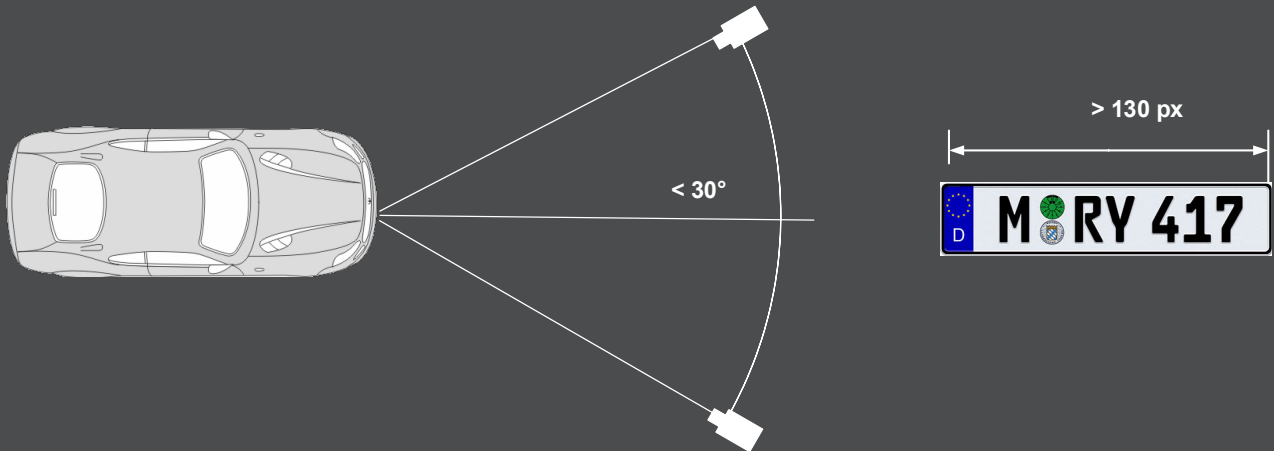
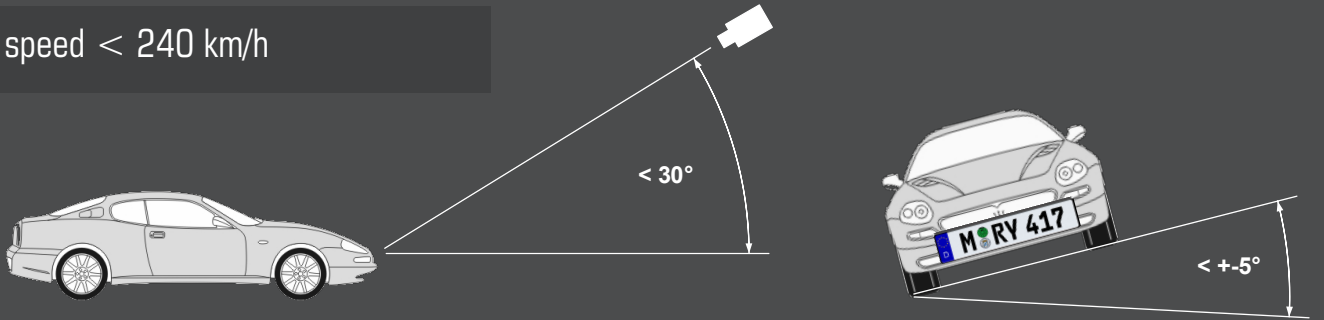


Hikvision, Dahua, TVT, Novus, NUUO



# REQUIREMENTS FOR RECOGNITION

Vehicle speed < 240 km/h





Recognition and saving to DB: date and time, number plate, screenshot



Determination of vehicle directions (enter or exit)



Calculation of time duration at the territory



Opening /closing barriers or gates

# CONTROL MODULE



## ICP DAS



ETHERNET (POE)  
6- RELAY INPUTS  
6-ALARM OUTPUTS



## BARBOS



USB  
4- RELAY INPUTS  
4-ALARM OUTPUTS



NUMBEROK TCP SERVER – SEND ALL EVENTS TO PORT



MULTI-USER ACCESS TO DB



NUMBEROK TCP SERVER – SEND ALL EVENTS TO PORT



MULTI-USER ACCESS TO DB



## SQLITE (BASIC):

200 000 RECORDS  
20 000 VEHICLE DATABASE

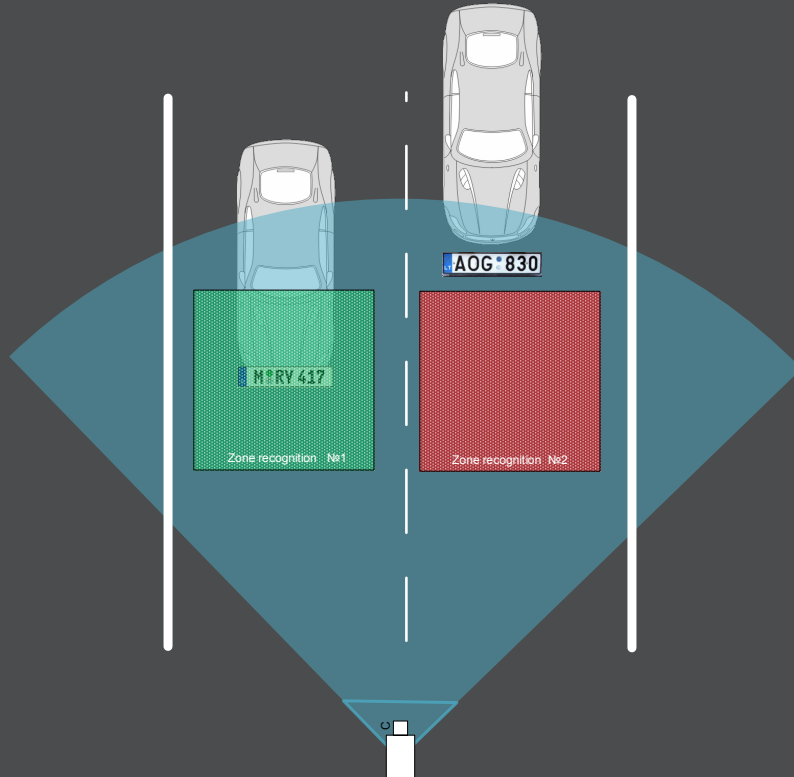


## FIREBIRD (OPTIONAL)

1 000 000 RECORDS  
100 000 VEHICLE DATABASE



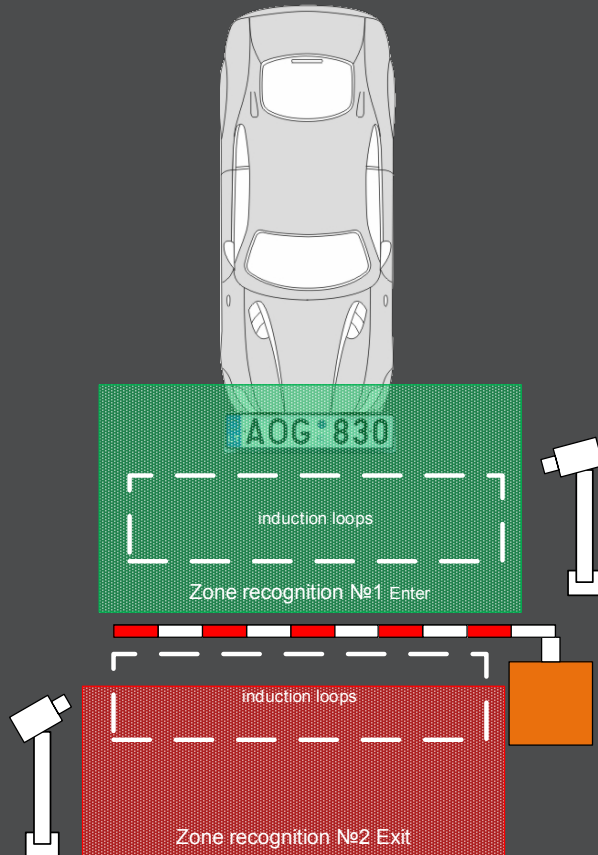
# STANDARD BUSINESS LOGIC



## Features:

RECOGNIZED NUMBER PLATE  
REPORTS

# STANDARD BUSINESS LOGIC



## Features:

VEHICLE ACCESS CONTROL BY  
NUMBER PLATE  
MANAGES EXECUTIVE  
MECHANISMS  
REPORTS



CAR WASH



TRAFFIC CONTROL



SAFE CITY



**numberok**

License Plate Recognizer

FF GROUP

Schonbrunner Schlosstrasse 44/3

1120 Vienna, Austria

e-mail:

[sales@number-ok.com](mailto:sales@number-ok.com)

tel: +4369917207569