

Quick Installation Guide

MS656100

Industrial Unmanaged Switch

Introduction

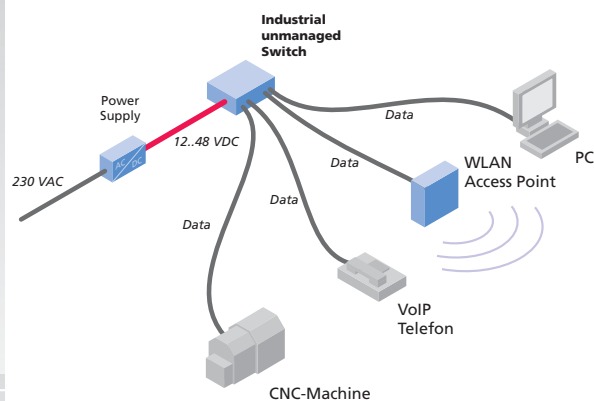
MS656100 is an unmanaged Ethernet switch with 5x10/100Base-TX ports. With very compact size of housing, you can install **MS656100** easily. In addition, **MS656100** with rigid IP-30 housing design can operate under harsh environments. The extended operating temperature range from -40°C to 70°C makes it satisfying for most requirements of operation.

Features

- › Supports 5 ports 10/100Base-TX
- › Supports auto-negotiation and auto-MDI/MDI-X
- › Supports store and forward transmission
- › Supports flow control
- › Compact size for easy installation
- › Rigid IP-30 housing design
- › DIN-Rail and wall mounting enabled

Practical Operation

Connections of Ethernet devices

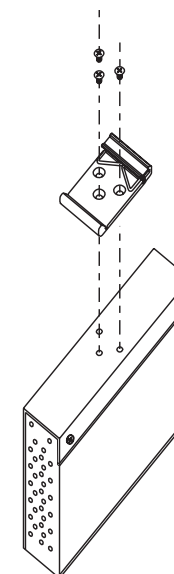


Specifications

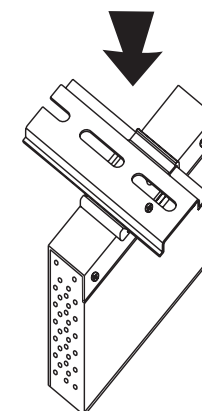
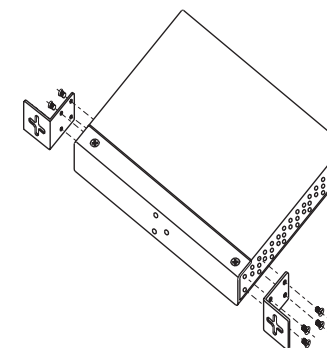
Microsens P/N	MS656100
Physical Ports	
10/100 Base-TX Ports in RJ-45 Auto MDI/MDIX	5
Technology	
Ethernet Standards	IEEE 802.3 for 10Base-T IEEE 802.3u for 100Base-TX and 100Base-FX IEEE 802.3x for Flow control
Processing	Store-and-Forward
LED Indicators	
Power indicator	Green: Power LED x2
10/100TX RJ-45 Port Indicator	Green for port Link/Act. Amber for duplex indicator
Power	
Input power	Dual 12..48 VDC power inputs at 4-pin terminal block
Power consumption(Typ.)	3 Watts
Overload current protection	Present
Reverse polarity protection	Present on terminal block
Physical Characteristic	
Enclosure	IP-30
Dimension (W x D x H)	26.1(W) x 70(D) x 95(H)mm (1.03x 2.76 x 3.74inch.)
Weight (g)	205 g
Environmental	
Storage Temperature	-40 to 85°C (-40 to 185°F)
Operating Temperature	-40 to 70°C (-40 to 158°F)
Operating Humidity	5% to 95% Non-condensing
Regulatory Approvals	
EMI	CISPR (EN55022) class A
EMS	EN61000-4-2 (ESD), EN61000-4-3 (RS), EN61000-4-4 (EFT), EN61000-4-5 (Surge), EN61000-4-6 (CS), EN61000-4-8, EN61000-4-11
Shock	IEC60068-2-27
Free Fall	IEC60068-2-32
Vibration	IEC60068-2-6
Safety	EN60950-1
Warranty	5 years

Installation

Din-Rail Install Step



Wall-mounted Install Step



MICROSENS

TEL: +49-2381-9452-0
FAX: +49-2381-9452-100

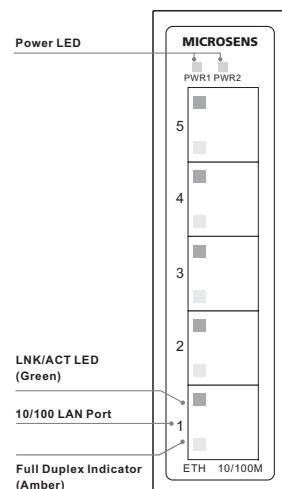
Website: www.microsens.com
E-mail: info@microsens.com

Quick Installation Guide

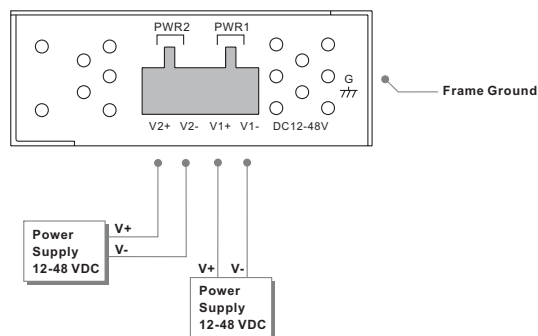
MS656100

Industrial Unmanaged Switch

Front Panel



Power Connection Guide



Accessory

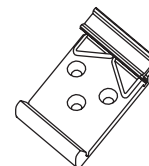
- ① 4-Pin Terminal block ② Dust Cover (RJ-45) ③ Screw (M3 X3)



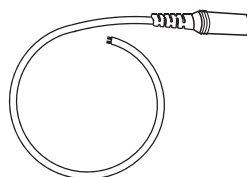
- ④ Wall-mounted kit



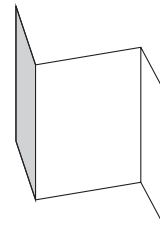
- ⑤ 25mm DIN-Rail kit



- ⑥ Power Cable with power jack



- ⑦ QIG



Packing list

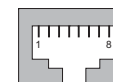
Model name	Model Description	Accessory
MS656100	Industrial Fast Ethernet Switch, 5x 10/100Base-TX, -40...+70°C	⊙x1, ⊙x5, ⊙x8, ⊙x2, ⊙x1, ⊙x1, ⊙x1

Communication Connections

10/100Base-TX Ethernet Port Connection

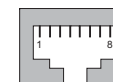
RJ-45 (8-pin, MDI) Port Pinouts

Pin	Single
1	Tx+
2	Tx-
3	Rx+
6	Rx-

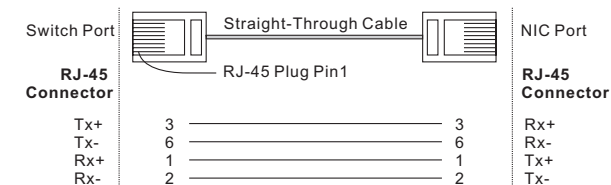


RJ-45 (8-pin, MDI-X) Port Pinouts

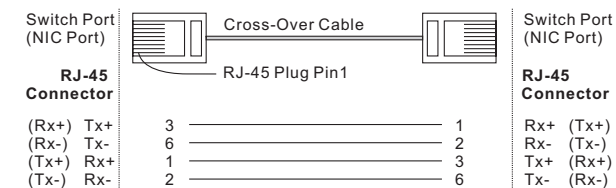
Pin	Single
1	Rx+
2	Rx-
3	Tx+
6	Tx-



RJ-45 (8-pin) to RJ-45 (8-Pin) Straight-Through Cable Wiring



RJ-45 (8-pin) to RJ-45 (8-Pin) Cross-Over Cable Wiring



Note: This is a class A industrial device, it may cause radio interference in living areas