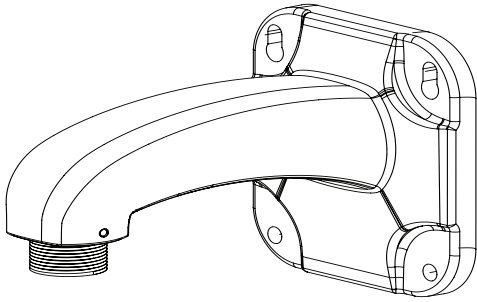


Instruction Manual



P32-755010-010A 755 A.1

Please read this manual carefully before use!

Wall Mount Bracket Kit

● Precautions

1. Please follow these installation instructions.
2. Please keep this manual for reference.
3. Don't exceed the load rating as specified.
4. We are not responsible for any damage caused by improper use of this appliance.
5. Please make sure to install the wall mount bracket on a solid surface.

● Package Contents

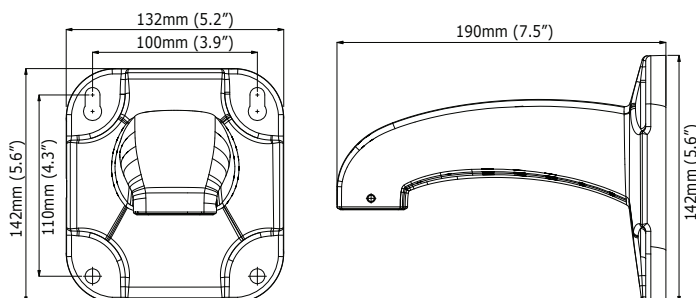
- Wall Mount Bracket
- Conduit Adaptor
- Guide Pattern
- M4-0.7x15mm Screw (1 pc)

Note: Metal anchor/nuts not provided.

● Specification

- Material: die-cast, aluminum, epoxy powder painted
- Color: white
- Dimensions (WxHxD): 142x132x190 mm (5.6"x5.2"x 7.5")
- Weight: 1.00 kg (2.2 lb)
- Support: up to 3 kg (6.61 lb, maximum)

● Dimension



● Installation

1. Use the guide pattern to mark hole positions on the desired location.
2. Fasten the conduit adaptor to the wall mount bracket according to your needs.
3. Pass the camera cables through the conduit adaptor and out of the access hole of the wall mount.
4. Screw the camera onto the conduit adaptor. Then lock in camera with the provided M4-0.7x15mm screw.

Note: It's suggested to apply sealant to the conduit before or after you screw the camera .

5. Use the appropriate metal anchors/nuts (not provided) to attach the wall mount bracket to the desired location.
6. Make all appropriate wire connections.

