

IPC2533-FN-SIR50-Z

5.0MP Starlight & Ultra WDR HD Network Vandal-Proof Varifocal IR Semi Dome



Features

Excellent Image Quality

- 5.0 Megapixel 1/2.8" progressive scan CMOS sensor
- High definition and smooth picture, 3072x1728@30fps / 3072x1728@25fps(with WDR on)
- H.265 video codec, saves up to 50% bandwidth and storage
- Ultra low illumination, 0.005lux with color picture
- 120dB Ultra WDR
- 3D noise reduction / Auto Iris / HLC

Intelligent Functions

- Motion detection / Tampering / Guard line / Defocus / Scene change / Enter guard area / Exit guard area / Object left / Object removal / Gathering / Audio surge
- Support Deep Learning Algorithm

Vandal-Proof

- Above IK10 @ 50J collision energy

Integrated High Efficiency IR

- Industrial IR LED with long operational lifespan
- Up to 50m IR distance
- Smart IR function

A Variety of Installation Modes

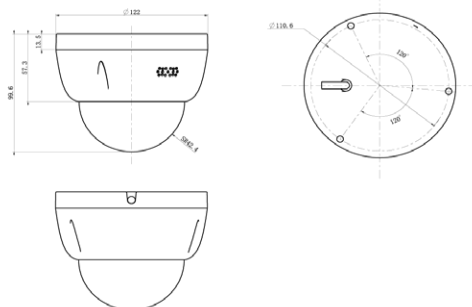
- Supports 90°, 180°, 270° image rotation
- Motorized varifocal lens

Abundant Functions and Features

- Micro SD card slot, supports Automatic Network Replenishment (ANR)
- Bi-directional audio / alarm in and out / RS485 / Built-in Mic & Speaker
- 2 channel audio input simultaneously
- Up to 3 Multi-stream
- PoE
- IP67

Dimensions

Units:mm



Specifications

Camera	IPC2533-FN-SIR50-Z
Image Sensor	1/2.8" progressive scan CMOS
Pixels	5.0 Megapixel
Min. Illumination	Color: 0.005lux@ (F1.6, AGC ON) B/W: 0.0005lux@ (F1.6, AGC ON); 0lux with IR
Shutter Speed	1 ~ 1/30,000s
Day / Night	Auto (ICR) / Color / B/W
Wide Dynamic Range	Ultra WDR, >=120dB
S/N Ratio	>=58dB
White Balance	Auto / Manual
Gain Control	Auto / Manual
Backlight Compensation	Off / BLC / WDR / HLC
Lens	
Mount Type	Ø14
Auto Iris	DC drive
Focal Length	-Z2812: 2.8~12mm @ F1.6~F3.3 motorized varifocal lens -Z6022: 6~22mm @ F1.6~F3.3 motorized varifocal lens
Focus Control	Manual / Semi-Automatic / Auto
Angle of View	-Z2812: Horizontal:29.4°(T)~95.3°(W),Vertical:16.5°(T)~49.2°(W) -Z6022: Horizontal:17.6°(T)~42.9°(W),Vertical:9.7°(T)~23.4°(W)
Adjustment Range	Pan: -120° ~ +120° / Tilt: 0° ~ 65° / Rotation: -90° ~ +90°
Infrared	
IR Distance	20 ~ 50m
IR Intensity	Smart IR
Video	
Compression	Smart 265 / H.265(Main Profile) / H.264(BaseLine Profile/Main Profile/High Profile) / MJPEG
Image Resolution	Main stream: 3072x1728 DOUSHI Third stream: D1 Main stream: 3072x1728@30fps / 3072x1728@25fps (with WDR on) Secondary stream: 720P@30fps Third stream: D1@30fps
Frame Rate	32kbps ~ 16Mbps
Bitrate	VBR / CBR
Bitrate Control	Supported
Multi-stream	Supported
Caption	Date and time / Alarm / Customized
Privacy Masking	Up to 4 zones
Motion Detection	Up to 4 zones
Video Freeze	Supported
ROI	Supported
Digital Noise Reduction	3D noise reduction
Digital Defog	Supported
Image Flip	Flip / Mirror / Rotation at 90°, 180°, 270°
Audio	
Compression	G.711a / G.711u / ADPCM / G.722 / AAC-LC / G.722.1c / G.726
Bitrate	32kbps ~ 64kbps
Audio Function	Bi-directional audio / AEC / Mixed audio recording / Dumb / Mute
Network	
Network Protocols	TCP/IP, UDP, HTTP, HTTPS, DHCP, DNS/DDNS, RTP/RTCP, RTSP, PPPoE, FTP, IGMP, UPnP, 802.1x, NAT, QoS, SMTP, IPv4, IPv6 (optional)
User Interface	IPC Control (IE, Firefox, Chrome)
Max. User Access	Max. 20 Users (includes 2 internal)
Application Programming	ONVIF (Profile S, Profile G), GB/T 28181-2016, API, CGI
Automatic Network Replenishment (ANR)	Supported
Alarm	
Alarm Triggers	Alarm input / Network disconnect / Disk full / Disk error
Basic Intelligent	Tampering / Defocus / Scene change / Object left / Object removal / Audio surge
Deep Learning Intelligent	Human & Vehicle Detection: Motion detection / Guard line / Enter guard area / Exit guard area / People Gathering
Alarm Events	Alarm report / Recording / Text overlay / Snapshot / External output / Email notice / Acoustic alarm
Interfaces	
Ethernet	10/100M, RJ45 interface
Audio In / Out	1 x Line In, 1 x Line Out, 1 x Built-in Mic in, 1 x Speaker
Control	1 x RS485
Alarm In / Out	2 x Input / 1 x Output
Memory Slot	Micro SD card slot, supports up to 256GB
Environmental	
Operating Temperature	-40°C ~ 70°C / -40°F ~ 158°F
Operating Humidity	10% ~ 95%, No condensation
Protection Level	IP67, IK10+ @50J
Electrical	
Power	12V DC ± 10% / PoE (IEEE802.3af)
Power Consumption	Max. 12W
Mechanical	
Weight	0.71 kg / 1.57lb (Gross Weight)
Dimensions	Ø122x 99.6mm / Ø4.8" x 3.92"