

IPC411-E020

1.3MP HD 16x Network Speed Dome Camera

KEDACOM



Features

Excellent Image Quality

- 1.3 Megapixel 1/3" progressive scan CMOS Sensor
- High definition and smooth picture, 960p@30fps
- H.264 high profile video codec, saves up to 30% bandwidth and storage
- Low illumination, 0.03lux with color picture
- WDR / 3D noise reduction

Long Operational Lifespan

- Industrial components, operating temperature of -40°C ~ 70°C
- IP67, TVS 6000V lightning protection, surge protection and voltage transient protection (-N1)

A Variety of Installation Modes

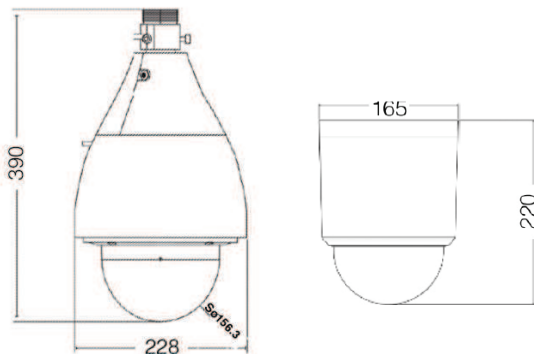
- Indoor ceiling / Indoor recessed / Outdoor

Abundant Functions and Features

- SD card slot, supports Automatic Network Replenishment (ANR)
- Dual-stream (960p+D1)
- Bi-directional audio / alarm in and out / video out / RS485

Dimensions

Units: mm



Specifications

Model	IPC411-E020 (-N0, -N1)
Camera	
Image Sensor	1/3" progressive scan CMOS
Pixels	1.3 Megapixel
Min. Illumination	Color: 0.03lux @ (F1.5, AGC ON) B/W: 0.003lux @ (F1.5, AGC ON)
Shutter Speed	1/10 ~ 1/10,000s
Day / Night	Auto (ICR) / Color / B/W
Wide Dynamic Range	Digital WDR
S/N Ratio	>52dB
White Balance	Auto / Manual
Gain Control	Auto / Manual
Backlight Compensation	Off / BLC / WDR
Lens	
Focal Length	6 ~ 96mm, 16x
Zoom Speed	Approx. 3s (Optical)
Angle of View	56°~ 3.6° (Wide~Tele)
Minimum Object Distance	300 ~ 1000mm (Wide~Tele)
Max. Aperture Ratio	F1.5 (Wide) / F3.6 (Tele)
Focus Control	Auto / Manual / Semi-Automatic
Pan and Tilt	
Pan / Tilt Range	360° Endless / 0° ~ 90°
Pan / Tilt Speed	Pan manual speed: 0.1° ~ 250°/s; Pan preset speed: 450°/s Tilt manual speed: 0.1° ~ 150°/s; Tilt preset speed: 350°/s
Proportional Zoom	Pan / Tilt speed can be adjusted automatically according to zoom multiples
Preset	255
Patrol	8 Patrols scheme, up to 32 presets per patrol
Pattern Scan	4 Scan paths, each path can record 10 minutes of operation path
Power-off Memory	Power-off memory / Power-on recovery
Automatic Guard	Patrol / Preset / Pattern Scan/ Pan scan / Tilt scan / Frame scan / Random scan / Panorama scan
PT Limit	Manual / Scan / Pan
3D Positioning	PTZ control with mouse click and drag
Video	
Compression	H.264
Image Resolution	Main stream: 960p Secondary stream: D1
Frame Rate	Main stream: 960p@30fps Secondary stream: D1@30fps
Bitrate	64kbps ~ 8Mbps
Bitrate Control	VBR / CBR
Dual-stream	Supported
Caption	Date and time / Alarm / Customized
Privacy Masking	Up to 4 zones
Motion Detection	Up to 4 zones
Video Freeze	Supported
Digital Noise Reduction	3D noise reduction
Image Flip	Flip / Mirror
Audio	
Compression	G.711a / G.711u / ADPCM / G.722 / AAC-LC
Bitrate	32kbps ~ 64kbps
Audio Function	Bi-directional audio / AEC / Mixed audio recording / Dumb / Mute
Network	
Network Protocols	TCP/IP, UDP, HTTP, DHCP, DNS/DDNS, RTP/RTCP, RTSP, PPPoE, FTP, VSIP, IPv4, IPv6 (optional)
User Interface	IPC Control (IE)
Max. User Access	10 Users (includes 2 internal access)
Application Programming	ONVIF (Profile S), GB/T 28181-2011, API, CGI
Automatic Network Replenishment (ANR)	Supported
Alarm	
Alarm Triggers	Motion detection / Alarm input
Alarm Events	Alarm caption / Snapshot / External output
Interfaces	
Ethernet	10/100M, RJ45 interface
Audio In / Out	1 x Line in / 1 x Line out
Control	1 x RS485
Alarm In / Out	4 x Input / 2 x Output
Video Out	1 x BNC, 1.0V [p-p] / 75Ω
Memory Slot	SD card slot, supports up to 128GB
Environmental	
Operating Temperature	-40°C ~ 70°C / -40°F ~ 158°F
Operating Humidity	10% ~ 95%
Protection Level	-N1 (Outdoor): IP67, TVS 6000V lightning protection, surge protection and voltage transient protection
Electrical	
Power	24V AC / 3A (Power adapter included)
Power Consumption	Max. 45W (Heater on)
Mechanical	
Weight	-N0 (Indoor): 3kg / 6.6lb (Net Weight) -N1 (Outdoor): 6kg / 13.2lb (Net Weight)
Dimensions	-N0 (Indoor): Φ165 × 220mm / Φ6.50" × 8.66" -N1 (Outdoor): Φ228 × 390mm / Φ8.98" × 15.35"