

IPC2251-AN&BN

2.0MP HD Network Varifocal IR Bullet Camera



Features

Excellent Image Quality

- 2.0 Megapixel 1/2.8" Progressive Scan CMOS Sensor
- High definition and smooth picture, 1080p@30fps
- H.264 high profile video codec, save up to 30% bandwidth and storage
- Low illumination, 0.05Lux with color picture
- WDR support / 3D noise reduction / Auto Iris

Integrated High Efficiency IR

- Industrial IR LED with long operation lifespan
- 30 ~ 50m IR distance
- SMART IR function

Variety of Installation Application

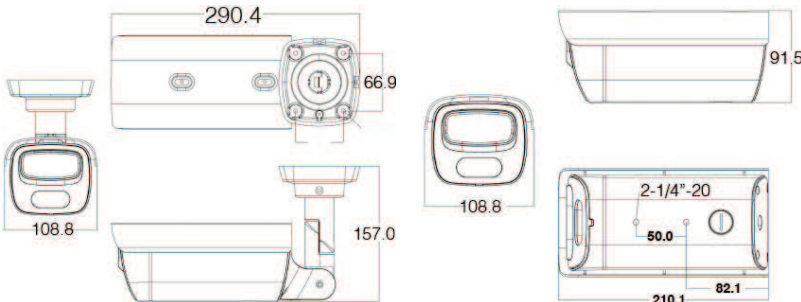
- Support image rotation 90°, 180°, 270°
- Motorized varifocal lens

Abundant Functions and Features

- TF card slot, support Automatic Network Replenishment (ANR)
- Dual streaming (1080p + D1)
- Bi-directional audio / alarm in/out / video out / RS485
- One click auto focus
- -40°C(-) ~ 70°C(+) operation temperature
- Motion detection alarm with snapshot
- PoE
- IP66

Dimensions

Units: mm



Specifications

Model	IPC2251-AN/BN -IR2
Camera	
Image Sensor	1/2.8" Progressive Scan CMOS
Pixels	2.0 Megapixel
Min. Illumination	Color: 0.05Lux @ (F1.4, AGC ON) B/W: 0Lux with IR
Shutter Speed	1/10 ~ 1/10,000S
Day / Night	Auto (ICR) / Color / B/W
Wide Dynamic Range	Digital WDR
S/N Ratio	>50dB
White Balance	Auto / Manual
Gain Control	Auto / Manual
Backlight Compensation	Off / BLC / WDR
Lens	
Mount Type	Φ14
Auto Iris	DC drive
Focal Length	3 ~ 10.5mm @ F1.4 motorized varifocal lens
Focus Control	Manual / Semi-Automatic
Auto Back Focus	Auto / Manual (Optional)
Infrared	
IR LED	3pcs IR LED
IR Distance	30 ~ 50m
IR Intensity	SMART IR
Video	
Compression Format	H.264 / MJPEG
Image Resolution	Main stream: 1080p Secondary stream: D1
Frame Rate	Main stream: 1080p@30fps Secondary stream: D1@30fps
Bitrate	64kbps ~ 8Mbps
Bitrate Control	VBR / CBR
Dual stream	Support
Caption	Date&Time / Alarm / Customized groups (Support up to 64 characters)
Privacy Masking	Up to 4 zones
Motion Detection	Up to 4 zones
Video Freeze	Support
Region Of Interest	Support
Digital Noise Reduction	3D noise reduction
Image Flip	Flip / Mirror / Rotation 90°, 180°, 270°
Audio	
Compression Format	G.711a / G.711u / ADPCM / G.722 / AAC-LC
Bitrate	32kbps ~ 64kbps
Audio Function	Bi-directional audio / AEC / Mixed audio recording / Dumb / Mute
Network	
Network Protocol	TCP/IP, UDP, HTTP, DHCP, DNS/DDNS, RTP/RTCP, RTSP, PPPoE, FTP, VSIP
User Interface	IPC Control
Max. User Access	10 Users (include 2 internal access)
Application Program	Onvif, GB/T 28181-2011, API
Alarm	
Alarm Triggers	Motion detection / Alarm input
Alarm Events	Alarm caption / Snapshot / External output
Interfaces	
Ethernet	10/100M, RJ45 interface
Audio In / Out	1 x Line in / 1 x Line out
Control	1 x RS485
Alarm In / Out	1 x Input / 1 x Output
Video Out	1 x BNC, 1.0V [p-p] / 75Ω
Memory Slot	TF card slot, support 128GB
Environmental	
Operating Temperature	-40°C ~ 70°C / -40°F ~ 158°F
Operating Humidity	10% ~ 95%
Protection level	IP66
Electrical	
Power	12V DC ± 10% / PoE (IEEE802.3af)
Power Consumption	Max. 15W
Mechanical	
Weight	-AN: 2.5Kg / 5.5lb (Gross Weight) -BN: 2Kg / 4.4lb (Gross Weight)
Dimensions	-AN: 290.4 × 108.8 × 157mm / 11.43" × 4.28" × 6.18" -BN: 210.1 × 108.8 × 91.5mm / 8.27" × 4.28" × 3.6"
Mounting Bracket	-AN: Bracket included -BN: Bracket not included