

IPC2240-HN-SIR30

2.0MP HD Network Mini IR Semi Dome Camera

KEDACOM

IR BULLET CAMERA

BOX CAMERA

SEMI DOME CAMERA

SPEED DOME CAMERA

IR SPEED DOME CAMERA

PTZ CAMERA

TRACKING SYSTEM

NETWORK VIDEO RECORDER

VIDEO MANAGEMENT SYSTEM

IP SAN

ENCODER & DECODER

MOBILE SOLUTIONS



Features

Excellent Image Quality

- 2.0 Megapixel 1/3" progressive scan CMOS Sensor
- High definition and smooth picture, 1080p@30fps
- H.265 video codec, saves up to 50% bandwidth and storage
- Low illumination, 0.03lux with color picture
- WDR / HLC / 3D noise reduction

Mini size

- 0.5kg / 1.1lb
- Ø97.62 × 67.65mm / Ø3.85" × 2.67"

Intelligent

- Motion detection / Tampering / Guard line / Enter guard area / Exit guard area

Integrated High Efficiency IR

- Industrial IR LED with long operational lifespan
- 10 ~ 30m IR distance
- Smart IR function

A Variety of Installation Modes

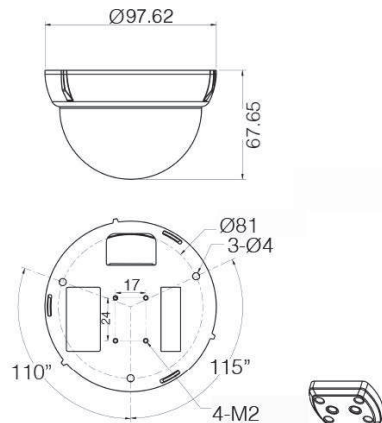
- Supports 90°, 180°, 270° image rotation

Abundant Functions and Features

- Supports Automatic Network Replenishment (ANR)
- Bi-directional audio / Built-in Mic / alarm in and out / video out / RS485
- 2 channel audio input simultaneously
- Dual-stream (1080p + D1)
- PoE
- IK10

Dimensions

Units: mm



Specifications

Model	IPC2240-HN -SIR30
Camera	
Image Sensor	1/3" progressive scan CMOS
Pixels	2.0 Megapixel
Min. Illumination	Color: 0.03lux @ (F1.6, AGC ON) B/W: 0lux with IR
Shutter Speed	1 ~ 1/30,000s
Day / Night	Auto (ICR) / Color / B/W
Wide Dynamic Range	Digital WDR
S/N Ratio	>50dB
White Balance	Auto / Manual
Gain Control	Auto / Manual
Backlight Compensation	Off / WDR / BLC / HLC
Lens	
Mount Type	M12
Focal Length	2.8mm (-L0280) / 3.6mm (-L0360) / 6mm (-L0600)
Angle of View	101.2° (-L0280) / 78.6° (-L0360) / 53.4° (-L0600)
Adjustment Range	Pan: -102.5° ~ 102.5° / Tilt: 0° ~ 70°
Infrared	
IR Distance	10 ~ 30m
IR Intensity	Smart IR
Video	
Compression	H.265 / H.264 / MJPEG
Image Resolution	Main stream: 1080p Secondary stream: D1
Frame Rate	Main stream: 1080p@30fps Secondary stream: D1@30fps
Bitrate	32kbps ~ 16Mbps
Bitrate Control	VBR / CBR
Dual-stream	Supported
Caption	Date and time / Alarm / Customized
Privacy Masking	Up to 4 zones
Motion Detection	Up to 4 zones
Video Freeze	Supported
ROI	Supported
Digital Noise Reduction	3D noise reduction
Digital Defog	Supported
Image Flip	Flip / Mirror / Rotation at 90°, 180°, 270°
Audio	
Compression	G.711a / G.711u / ADPCM / G.722 / AAC-LC / G.722.1c / G.726
Bitrate	32kbps ~ 64kbps
Audio Function	Bi-directional audio / AEC / Mixed audio recording / Dumb / Mute
Network	
Network Protocols	TCP/IP, UDP, HTTP, DHCP, DNS/DDNS, RTP/RTCP, RTSP, PPPoE, FTP, VSIP, UPnP, 802.1x, NAT, QoS, SMTP, IPv4, IPv6 (optional)
User Interface	IPC Control (IE, Firefox, Chrome)
Max. User Access	Max. 10 Users (includes 2 internal)
Application Programming	ONVIF (Profile S, Profile G), GB/T 28181-2011, API, CGI
Automatic Network Replenishment (ANR)	Supported
Alarm	
Alarm Triggers	Alarm input / Network disconnect / Disk full / Disk error
Intelligent	Motion detection / Tampering / Guard line / Enter guard area / Exit guard area
Alarm Events	Alarm report / Recording / Text overlay / Snapshot / External output / Email notice / Acoustic alarm
Interfaces	
Ethernet	10/100M, RJ45 interface
Audio In / Out	2 x Line in / 1 x Line out / 1 x Built-in Mic
Control	1 x RS485
Alarm In / Out	1 x Input / 1 x Output
Video Out	1 x BNC, 1.0V [p-p] / 75Ω
Memory Slot	TF card slot, supports up to 128GB
Environmental	
Operating Temperature	-40°C ~ 60°C / -40°F ~ 140°F
Operating Humidity	10% ~ 95%
Protection Level	IK10
Electrical	
Power	12V DC ± 10% / PoE (IEEE802.3af)
Power Consumption	Max. 11W
Mechanical	
Weight	0.5kg / 1.1lb (Gross Weight)
Dimensions	Ø97.62 × 67.65mm / Ø3.85" × 2.67"