



Paving Intelligence into Safety, Security & Mobility

SmartCam

Excellence in combined Network Camera and embedded Analytics

Tunnels - Highways - Bridges - Toll Roads

The Citilog SmartCam has been specifically designed as a dedicated traffic intelligent camera. It combines a leading network camera with the Citilog field proven Automatic Incident Detection and Traffic Data collection video technologies.

This all-in-one AID camera delivers progressive scan image quality at up to 1MP or HDTV 720p in compliance with the SMPTE standard in resolution. It can generate multiple, individually configurable H.264 and Motion JPEG video streams simultaneously. With its **Dynamic Capture features** capabilities the **Citilog SmartCam** performances are ideally fitted for both tunnel and outdoor video surveillance systems with embedded Automatic Incident Detection or Traffic Data collection applications.

Compare to traditional AID architecture, the Citilog embedded software solution allows for significant cost savings both in terms of capital costs and operating costs.



SmartCam-i

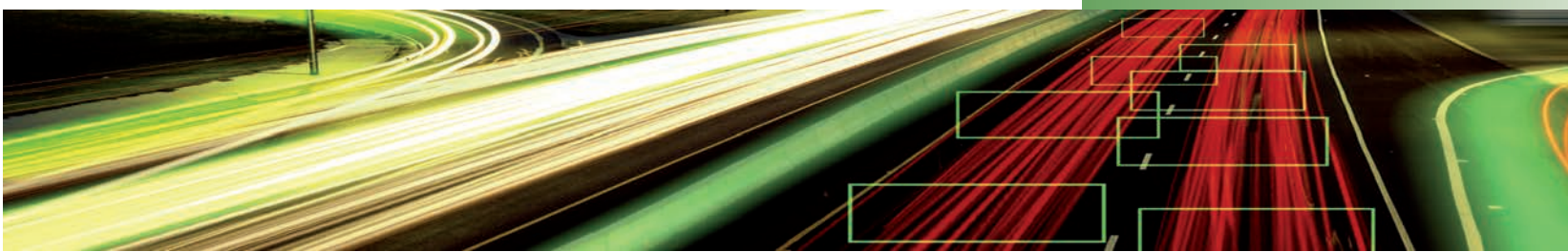
- ✓ Stopped vehicles – fluid
- ✓ Stopped vehicles – congestion
- ✓ Slowdown

SmartCam-ww

- ✓ Wrong-way vehicles

SmartCam-td

- ✓ Vehicle counting
- ✓ Vehicle classification
- ✓ Average speed
- ✓ Occupancy
- ✓ Levels of Services



SmartCam

SPECIFICATIONS

Image sensor:	Progressive scan RGB CMOS1/3"
Lens:	Varifocal 2.8 – 8 mm
Video compression:	H.264 & Motion JPEG
Resolutions:	1280x960
Frame rate:	30 fps in all resolutions
Video streaming:	Multiple, individually configurable streams in H.264, Controllable frame rate and bandwidth
Network:	Password protection, IP addresses filtering, HTTPS encryption, IEEE 802.1X network access control, user access log.
Connectors:	RJ-45 10BASE-T/100BASE-TX PoE
Power:	8-20 V DC or Power over Internet (PoE)

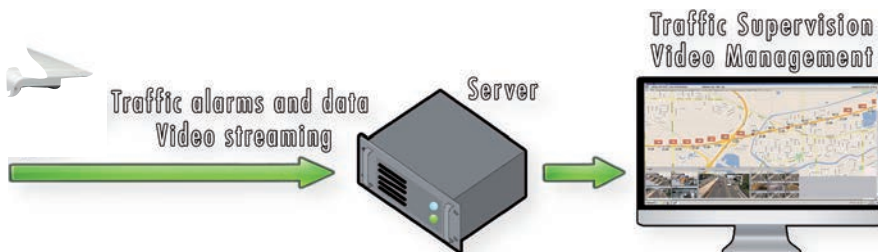
USER FRIENDLY INTERFACE

MediaManager, the newly developed Citilog GUI, provides supervision and administration functionalities through a user friendly interface. Along with all other Citilog products, the **Citilog SmartCam** can be integrated into **MediaManager**.



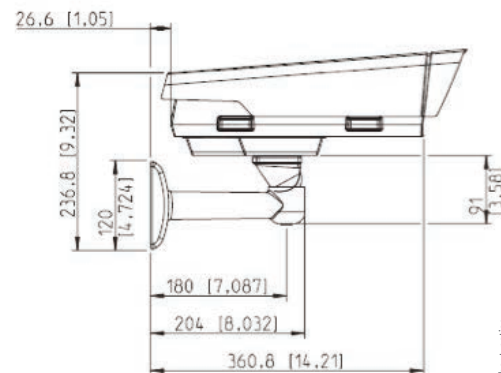
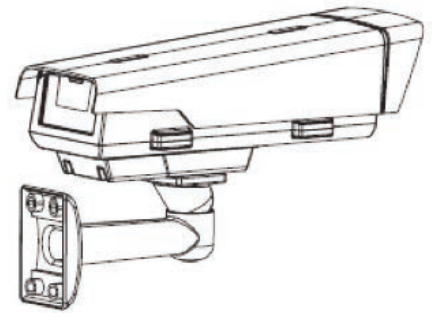
FLEXIBLE ARCHITECTURE

The **Citilog SmartCam** combines the features of a traffic dedicated IP camera with state of the art video analytics. It can be installed as standalone CCTV/AID equipment or integrated into a complex existing CCTV system.



Key benefits

- ✓ Optimizes bandwidth requirements
- ✓ Reduces central hardware requirements
- ✓ Reduces Video system global Cost of Ownership



Europe

Citilog SA
19/21, rue du 8 mai 1945
94110 Arcueil - France
Tel: +33 1 41 24 34 54
Fax: +33 1 41 24 34 99
citilog@citilog.com

North America

Citilog Inc.
2 Bala Plaza, Suite 300
Bala Cynwyd, PA 19004 - USA
Tel: +1 (215) 609 49 45
Fax: +1 (484) 873 22 92
citilogusa@citilog.com

IberoAmerica

Citilog IberoAmerica
Av. Jacarandas, 2 Oficina 110
46100 Burjassot, Valencia - Spain
Tel: +34 961 363 971
Fax: +33 1 41 24 34 99
espana@citilog.com

Asia-Pacific

Citilog
35/F Central Plaza, 18 Harbour Road
Wanchai - Hong Kong
Tel: +852 2593 1500
Fax: +852 2593 1222
citilogapa@citilog.com

