



## ISCOM HT803G-1GE Series | Standalone GPON ONT

### Product Overview

Equipped with ITU-T G.984 compliant 2.5G Downstream and 1.25G Upstream GPON interface, ISCOM HT803G-1GE is designed for residential and business subscribers' access. The device can be directly placed at home of terminal user for FTTH solution, supporting data and IPTV services.

ISCOM HT803G-1GE has one SC/APC GPON interface, 1\*10/100/1000 Base-T interface for accessing home gateway CPE or computer. Together with RAISECOM OLT device including ISCOM6800 and ISCOM5508-GP, it provides full L2 switching functionality for high speed data and IPTV services. Compliant with standard OMCI definition, ISCOM HT803G-1GE is manageable at remote side and supports the full range FCAPS functions including supervision, monitoring and maintenance.

### Highlights

- Plastic Shell ONT with light weight, small size, low power consumption
- Highly Cost Effective for FTTH
- Based on automatic discovery and configuration of ONU "Plug and Play"
- Standard compliant OMCI (the embedded operations channel) interface as defined by ITU-T G.988
- Provisioning all kinds of services including Ethernet, VoIP, etc.
- Alarming and AVC report, performance monitoring
- Remotely software image download over OMCI, as well as activation and rebooting
- Hold two software sets with software image integrity checking and automatic rollback

### Specifications

#### GPON Interface:

Compliant with ITU-T G.984.2 Amd1, ClassB+

SC/APC connector  
1310nm burst receive  
1490nm continuous transmit  
1.244 Gbps Burst Mode Upstream Transmitter, 2.488 Gbps Downstream Receiver

#### Ethernet Interface:

1\*10/100/1000 auto-negotiation  
RJ45 connector  
Full/half duplex mode  
Auto MDI/MDIX  
Dimension: 120(W)\*33(H)\*90(D) mm  
Weight: <1kg  
Power Supply:  
External 12V/1A power supply adapter  
Power consumption:  
≤4.6W (at max load)  
Working Environment:  
Temp: 0~50 centigrade  
RH: 10~95% non-condensing

#### International Headquarters

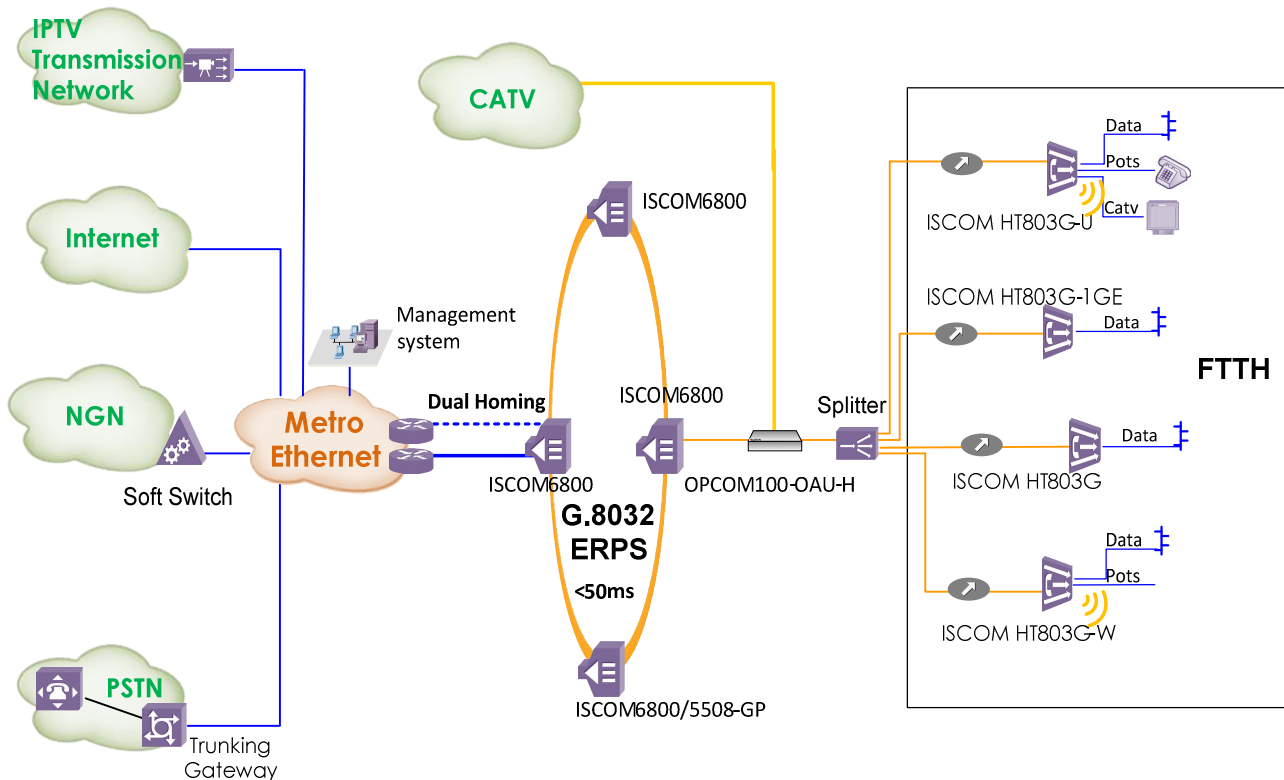
Building 2, No. 28 of the Shangdi 6th Street,  
Haidian District, Beijing. 100085, China  
Tel: +86 10 8288 3305  
Fax: +86 10 8288 3056  
www.raisecom.com

#### U.S.A. Headquarters

19337 US 19 North, Suite 306  
Clearwater, Florida. 33764. USA.  
Tel: +1 888 816 4808  
Fax: +1 727 547 9124  
Email: sales@raisecomusa.com

#### Raisecom Technology Co., Ltd.

Copyright@1999-2013  
All rights reserved  
Technical information is subjected to  
change without notice



### GPON Interface

- Compliant with ITU-T G.984
- Single T-CONT & Multiple T-CONT
- Flexible mapping between GEM and T-CONT
- AES-128 decryption
- FEC
- 802.1p mapping
- GEM for IPTV

### Ethernet Interface

- 1x10/100/1000 auto-negotiation
- Auto MDI/MDIX
- VLAN tagging/detagging per Ethernet port
- VLAN stacking (Q-in-Q) and VLAN Translation
- MAX 256 MAC address
- 8x4 VLAN group
- Traffic classification & Packets Filter

### IPTV service

- Support IPTV (Multicast/Unicast)
- IGMP v2/v3 snooping
- Broadcast/Multicast rate limiting
- Optimized IGMP Snooping
- Up to 128 IGMP groups

### QoS

- IP ToS/DSCP to 802.1p mapping
- Class of Service based on UNI, VLAV-ID, 802.1p bit, and ToS/DSCP
- Marking/Remarking of 802.1p

### OAM

- Standard compliant OMCI (the embedded operations channel) interface as defined by ITU-T G.988
- Provisioning all kinds of services including Ethernet, VoIP, etc.
- Alarming and AVC report, performance monitoring

#### International Headquarters

Building 2, No. 28 of the Shangdi 6th Street,  
Haidian District, Beijing. 100085, China  
Tel: +86 10 8288 3305  
Fax: +86 10 8288 3056  
www.raisecom.com

#### U.S.A. Headquarters

19337 US 19 North, Suite 306  
Clearwater, Florida. 33764. USA.  
Tel: +1 888 816 4808  
Fax: +1 727 547 9124  
Email: sales@raisecomusa.com

#### Raisecom Technology Co., Ltd.

Copyright@1999-2013  
All rights reserved  
Technical information is subjected to  
change without notice



- Remotely software image download over OMCI, as well as activation and rebooting
  - Hold two software sets with software image integrity checking and automatic rollback
- Priority)
- ITU-T G.984 (GPON),
  - IETF RFC 1493 (Bridge MIB),
  - IGMP v1/v2/v3
  - SNMP v1/v2/v3

**Standard Compliance**

- IEEE802.1Q (VLAN), 802.1ad (QinQ), 802.1p (CoS)

**Ordering Information**

Model	Description
ISCOM HT803G-1GE	provides 1xGPON interface for uplink, 1x10/100/1000 Auto MDI/MDIX RJ45 port